

Three-way valves



- For heating or cooling system
- Unti control
- Pressure class: PN 10
- Max temperature: 100°C

Description *MMA Three-way valve*

Area of use

Three-way valves EDV/EDVH is used to mix or distribute flow to heating and cooling systems. For example air conditioners, coolers, underfloor heating, cold room or cold dishes.

Description

EDV/EDVH is a three-way valve with intermediate EPDM rubber spool.

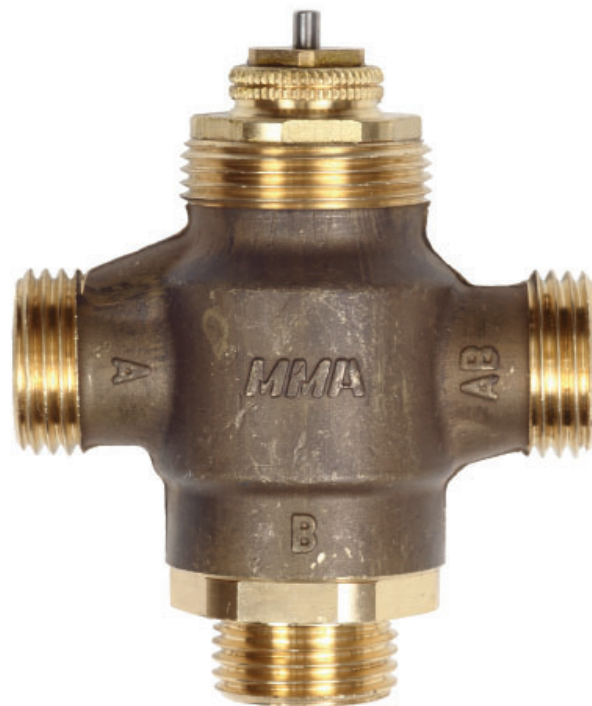
At both end positions, the cone closes the flow completely against the respective port.

The valve is made of dezincification resistance brass and has no surface treatment.

EDV 15/EDVH 15 has external thread G1/2".

EDVH 20 has external thread G3/4".

EDV/EDVH can be controlled with a capillary thermostat or with an actuator.



Technical data *MMA Three-way valve*

Technical data

Pressure class

PN 10

Max closing pressure

A-port 100 kPa

B-port 150 kPa

Recommended differential pressure

3-10 kPa

Max temperature

100°C

Material

Dezincification resistance brass

Gaskets EPDM

Weight

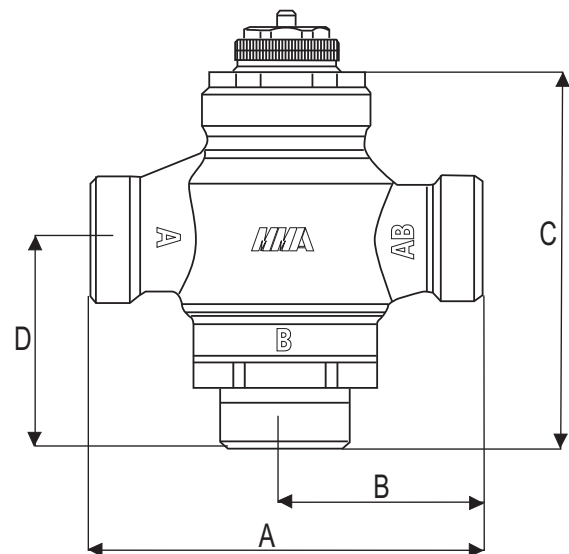
250g

Max Kv port A Mav Kv port B

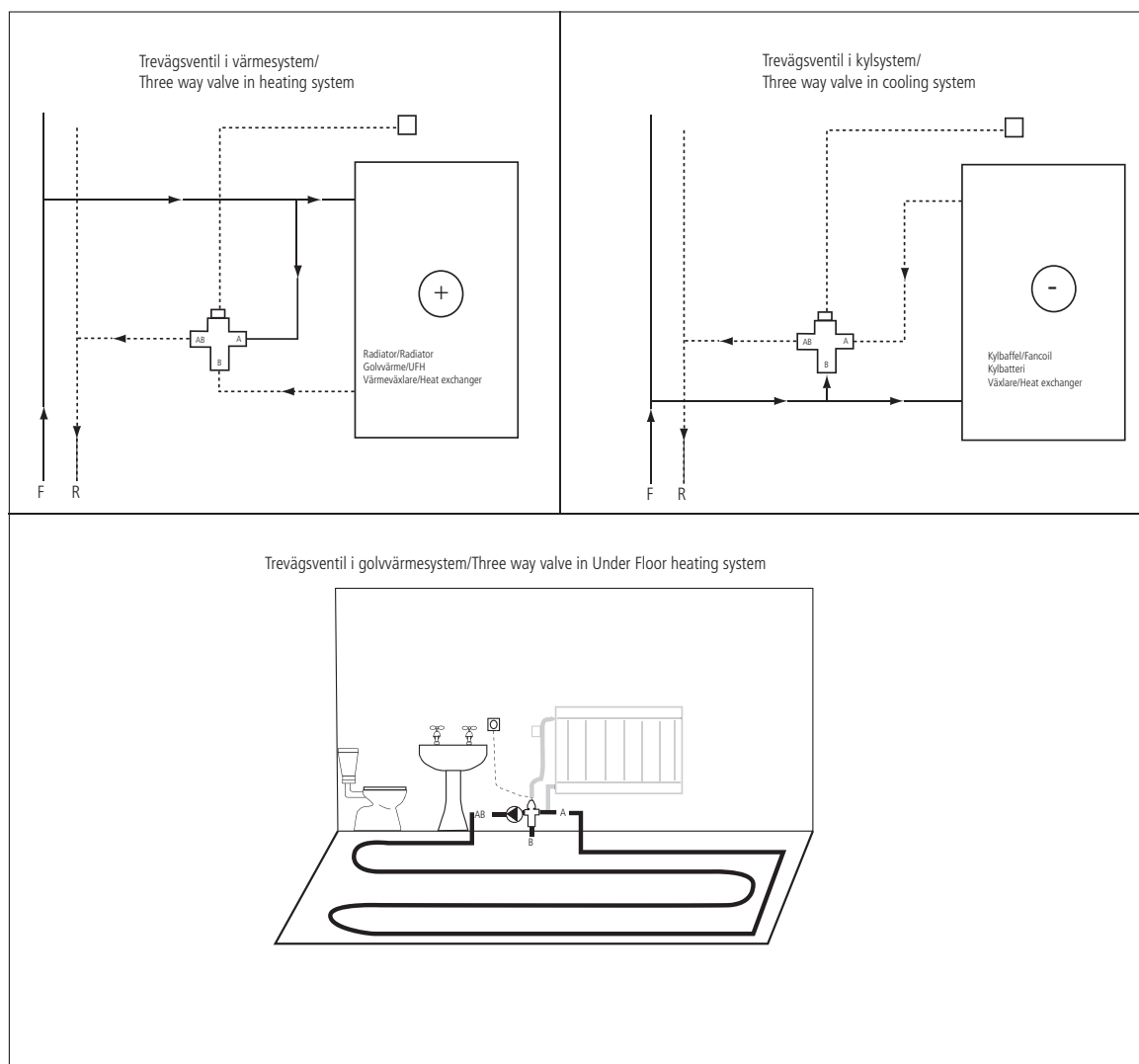
EDV 15	1,4	1,6
EDVH 15	1,7	1,9
EDVH 20	3,1	3,6

Dimensions

	A	B	C	D
EDV 15	56	27	66	39
EDVH 15	64	32	63	35
EDVH 20	75	36	79	47



Technical data *MMA Three-way valve*



Articel-number	Designation	Description
4130601	EDV 15	Three-way valve DN15
4130801	EDVH 15	Three-way valve DN 15
4130901	EDVH 20	Three-way valve DN 20

We reserve the right to change the products without prior notice