

## Replacement valve ARCU RFA 33, 34, 35, 36



- Available in 1-and 2-pipes
- Pre-setting
- Connection M22x1,5 or int 3/8"
- Temperature: 5°C to +100°C
- Pressure class: PN 10

## Description *MMA RFA 33, 34, 35, 36*

### Area of use

RFA 33, 34, 35, 36 replaces ARCU 1-or 2-pipes valves side coupled.

The valves can be regulated with a thermostatic head or M28x1,5 handwheel.

### Description

RFA 33, 34, 35, 36 has a concealed pre-setting function in the stuffing box.

Pre-setting of the 2-pipe system can be carried out using an FN2 key.

The valve is connected to the pipe system using a M22x1,5 or int 3/8" connection.

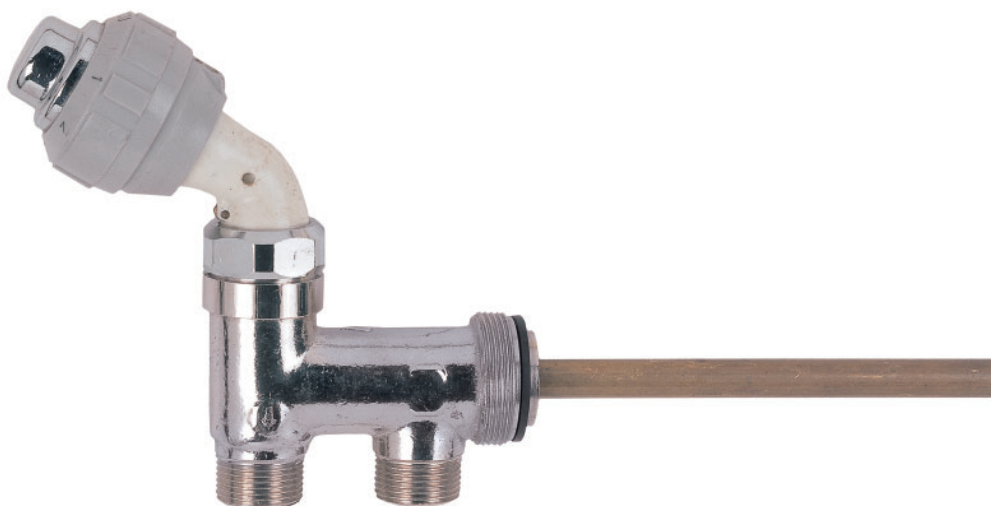
The valve has an M34x1,5 connection to the radiator.

The distribution of the flow (1-pipe) between radiator and by-pass is done with an allen key.

Set the number of turns specified in the table.

The valve return is switched off with a spindle under the cover, and the inlet is switched off using a thermostatic head or manual handwheel.

The by-pass does not close when you close the valve with a thermostatic head.



# Description *MMA RFA 33, 34, 35, 36*

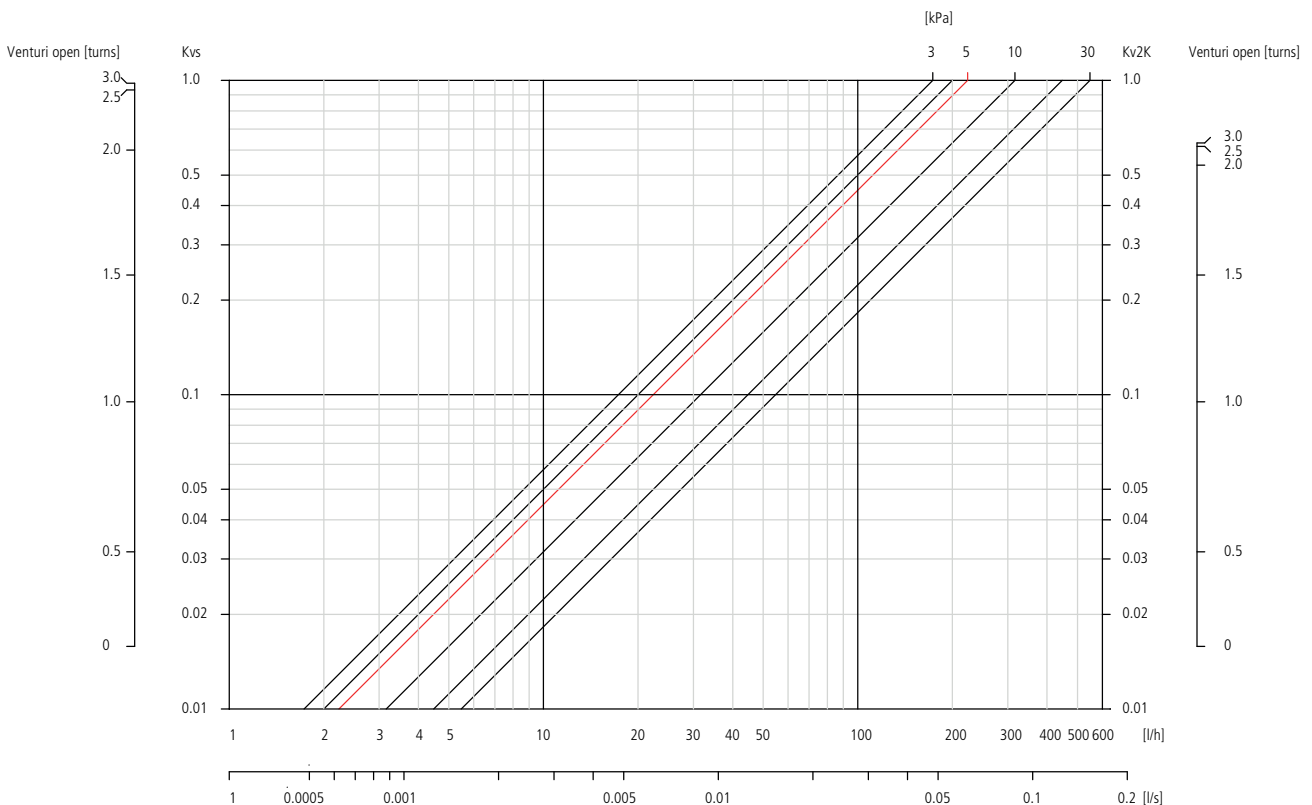
## Pre-setting FN 2 key

The valve is equipped with an insert which has concealed pre-setting functionality. Unscrew the protective cap. Remove the stuffing box with the pin (use the tip of the FN2 pre-setting key).

Insert the pre-setting key with the serrated end in the control sleeve and carefully screw it to the bottom (clockwise).

Screw up the number of turns outlined in the diagram.

Refit the stuffing box with the pin.



# Technical data *MMA RFA 33, 34, 35, 36*

## Pressure class

PN 10

## Min temperature

5°C

## Max temperature

100°C

## Max differential pressure/closing pressure

150 kPa

## Recommended differential pressure

3-10 kPa

## Kv-value/Kvs-value

0,01-0,63/0,01-1,0

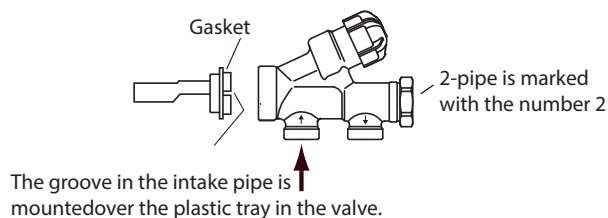
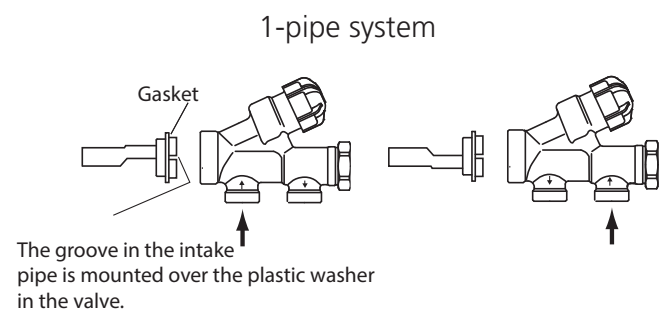
## Material

Brass, Stainless steel

Gaskets EPDM

## Weight

414 g



## 1-pipe system

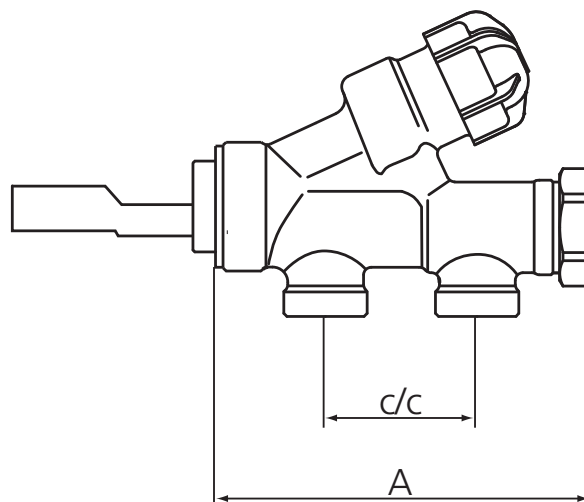
### RFA 33,35

Turn	Kv <sub>2K</sub>			Kv <sub>S</sub>		
	Kv total	Kv radiator	% radiator	Kvs total	Kvs radiator	% radiator
0,5	1,17	0,02	1	1,17	0,02	1
1	1,19	0,05	4	1,19	0,05	4
1,5	1,30	0,16	12	1,30	0,16	12
2	1,52	0,39	26	1,52	0,37	25
2,5	1,80	0,66	36	1,93	0,78	41
3	1,83	0,66	36	2,05	0,88	43

# Product information *MMA RFA 33, 34, 35, 36*

## Dimensions

	A	c/c	Weight/g
RFA 33/34/35/36	98	40	0,414



## Ordering codes

Article-number	Designation	Description
4044801	RFA 33	1-pipe side M22x1,5
4044802	RFA 34	2-pipe side M22x1,5
4044701	RFA 35	1-pipe side int 3/8"
4044702	RFA 36	2-pipe side int 3/8"
4172501	M34/G20	Changeover M34/R20

