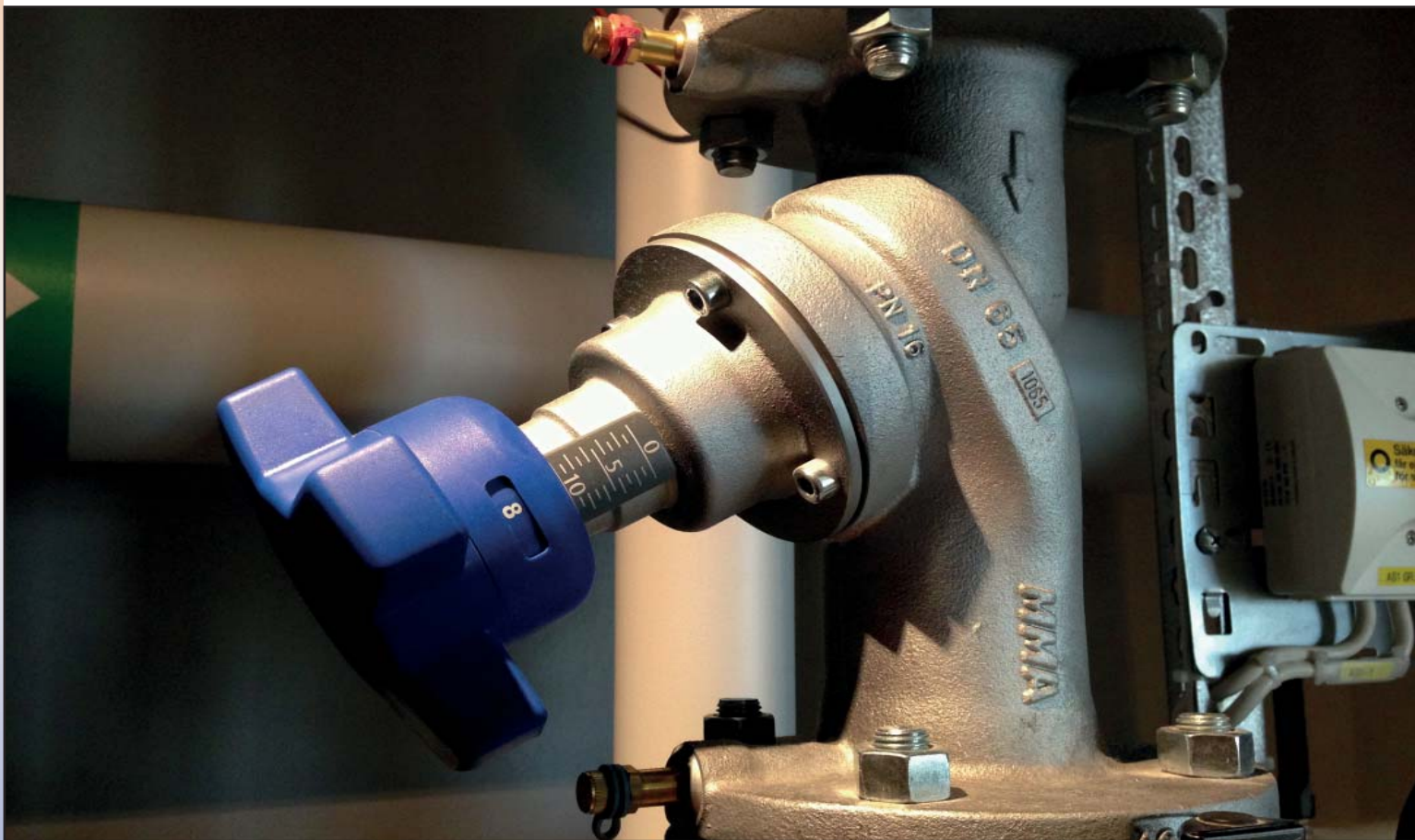


STVA(E) DN 65-300, Balancing valve



- High accuracy
- Easy to adjust
- Quick to commission
- Dimension: DN 65-300
- Temperature: -10°C to +120°C
- Pressure class: PN 16

Description *STVA(E) DN 65-300*

Application

The manual balancing valve STVA(E) is optimized for use in heating- and cooling systems. STVA(E) is a ANSI 125# flanged valve.

Sizing

STVA(E) are sized with nomogram, handwheel or online Applications on smartphones or on our website.

STVA(E) shall be dimensioned at 50-80 % of maximum flow for the design flow.

Minimum recommended differential pressure is 2 kPa (0,29 psi)

Setting

The hand wheel has digital reading which shows whole turns and tenth of a turn.

The setting is shown in table format or can be calculated by using software on the website.

Any setting can be locked to avoid tampering with the setting of the balancing value.

On STVA DN 65-150 an Allen key of 6 mm is used on the inner spindle to lock the setting.

On STVA(E) DN 200-300 the key is enclosed.

When the setting is locked the valve cannot be opened to a larger value but it can be closed for maintenance of the connected circuit.

Measuring

The pressure test ports are opened by unscrewing the lids.

Differential pressure can be measured using a balancing instrument.

Mounting

Mounting direction is clearly shown with an arrow on STVA(E)

The flanged on STVA(E) is according to EN 1092-2.

CE

Correspond to PED 2014/68/EU

Pressure compensated valve

STVA DN 80-150 has a pressure compensated valve for easy adjustment of the presetting

Technical data *STVA(E) DN 65-300*

Pressure class

PN 16

Max temperature

120°C

Max closing pressure

200 kPa

Material

Cast iron

Seals EPDM/NBR

Connections

ANSI 125# flanged

Min temperature

-10°C

Min pressure drop

2 kPa

Surface

DN 65-150, Electrolytic zinc plating

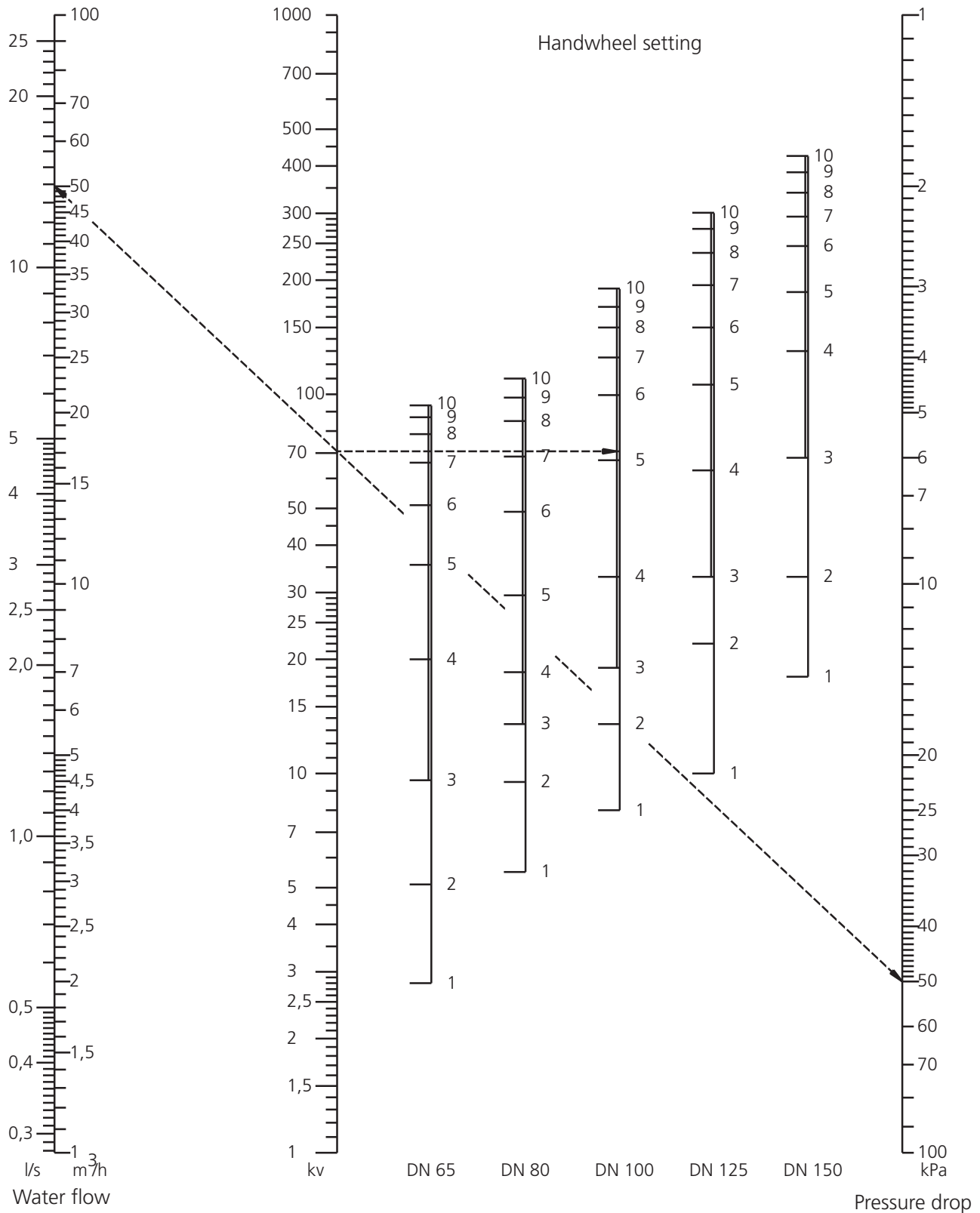
DN 200-300, Electrolytic zinc plating

Capacity

No. of turns	DN 65	DN 80	DN 100	DN 125	DN 150	No. of turns	DN 200	DN 250	DN 300
1	2,8	5,5	8,0	10,0	18,0	0,5	27,5	43,5	44,9
2	5,1	9,5	13,5	22,0	33,0	1	38,6	62,3	57,1
3	9,6	13,5	19,0	33,0	68,0	1,5	45,6	73,1	72,2
4	20,0	18,5	33,0	63,0	130,0	2	54,6	87,3	89,8
5	35,5	29,5	67,0	106,0	186,0	2,5	71,2	115,8	110,2
6	51,0	49,0	99,5	150,0	246,0	3	99,9	163,9	140,7
7	66,0	68,5	125,0	194,0	294,0	3,5	148,6	239,2	202,0
8	78,5	85,0	150,0	236,0	340,0	4	216,2	345,3	331,7
9	87,0	98,0	170,0	273,0	385,0	4,5	283,9	451,4	500,2
10	93,5	110,0	190,0	301,0	425,0	5	341,2	543,3	634,1
						5,5	387,7	622,0	733,2
						6	430,1	694,0	825,1
						6,5	471,7	762,5	922,9
						7	507,6	823,7	1017,8
						7,5	535,2	876,3	1100,0
						8	560,8	925,3	1169,7
						8,5	590,0	974,4	1229,7
						9	619,3	1022,4	1285,1
						9,5	644,8	1067,8	1339,6
						10	667,2	1110,2	1394,1
						10,5	688,4	1150,1	1448,9
						11	710,0	1187,5	1504,1

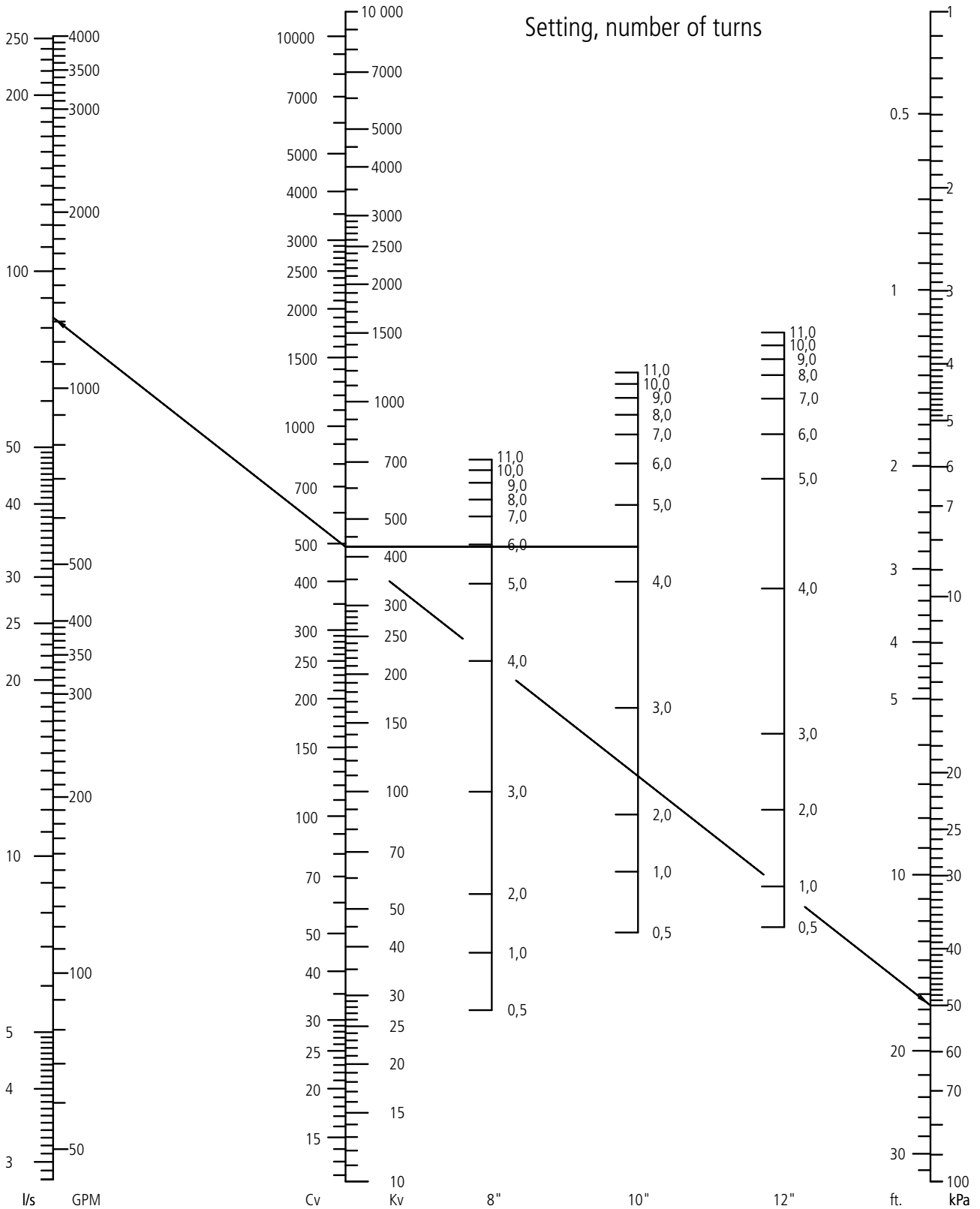
Setting *STVA(E) DN 65-300*

DN 65-150



Setting *STVA(E) DN 65-300*

DN 200-300



Product Information *STVA(E) DN 65-300*

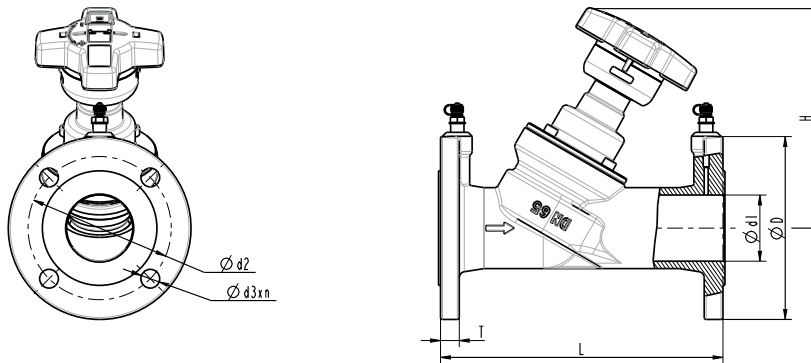
Ordering codes

Article number	Benämning	Description
2254001	STVA 65	Balancing valve ANSI 125# flanged without drain
2254101	STVA 80	Balancing valve ANSI 125# flanged without drain
2254201	STVA 100	Balancing valve ANSI 125# flanged without drain
2254301	STVA 125	Balancing valve ANSI 125# flanged without drain
2254401	STVA 150	Balancing valve ANSI 125# flanged without drain
2256401	STV EA 200	Balancing valve ANSI 125# flanged without drain
2256501	STV EA 250	Balancing valve ANSI 125# flanged without drain
2256601	STV EA 300	Balancing valve ANSI 125# flanged without drain

Article number	Name	Description
9001318	IS 65	Insulation DN 65
9001319	IS 80	Insulation DN 80
9001320	IS 100	Insulation DN 100
9001321	IS 125	Insulation DN 125
9001322	IS 150	Insulation DN 150

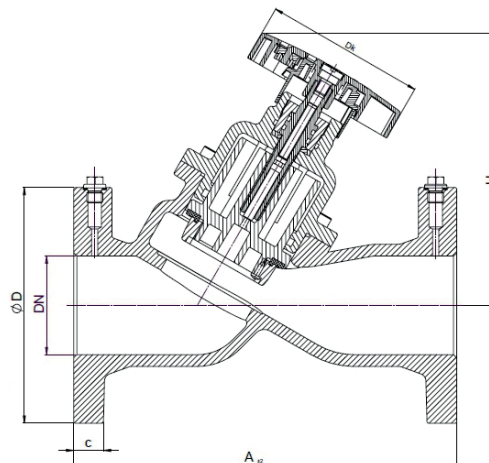
Product Information *STVA(E) DN 65-300*

Dimensions mm



	Dim	Ø D	Ø d1	Ø d2	Ø d3xn	L	H	T
STVA 65	DN 65	180	66	139,7	19,05x4	290	228	18,5
STVA 80	DN 80	190,5	80	152,4	19,05x4	310	238	20
STVA 100	DN 100	228,6	100	190,5	19,05x4	350	255	26
STVA 125	DN 125	254	125	215,9	22,35x8	400	294	26
STVA 150	DN 150	279,4	150	241,3	22,35x8	480	305	28

	Dim	A	D	C	Dk	H
STVA 200	DN 200	600	343	29	310	480
STVA 250	DN 250	730	406	30,5	310	525
STVA 300	DN 300	850	483	32	310	535



Product Information *STVA(E) DN 65-300*

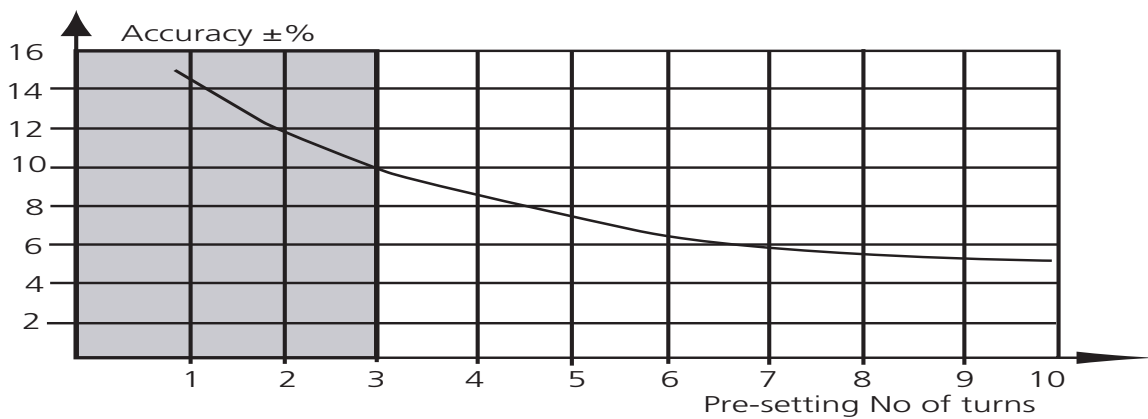
Media

Maximum temperature with another media than water

Media	°C
Ethyleneglycol	100°C
Propyleneglycol	60°C
Glycerol (Propantriol)	100°C
Potash (diluted)	40°C
Sodium chloride	100°C
Temper	60°C

NOTE! For the STV range, it is only suitable to use neutral fluids

Accuracy DN 65-150



Accuracy DN 200-300

