

# Room regulator R201-02,2-10V



## Areas of use

Room regulator R201-02 is used to run both heating and cooling. Together with an actuator the R201-02 can regulate cooling ceilings, fan coils, radiators etc. The room regulator is CE-approved.



## Description

Room regulator R201-02 has the following functions:

- Heating and cooling in sequence. Can be switched for regulating up to 4 steps in sequence.
- Outputs adapted to actuator VM 2-10V
- Possibility of connect external temperature sensor, condensation sensor or minilimited of heating and cooling.
- Automatic valve exercise, one time a day.

## Technical data

### Output signal function

2-10V

### Set point range

19-25°C

### Adjustable set point range

2°C - 30°C

### Output signal

2-10V DC (max 19mA)

### Operating voltage

24V AC/DC ±10%

### Deadzone

1°K

### Power consumption

1 VA

### IP-Rating

IP30

### Ambient temp.max

Storage 0-70°C. Operating 5-40°C

### LED indicator

green (cooling)

off (deadzone)

red (heating)

### Material

Polyamide

### Electrical connection

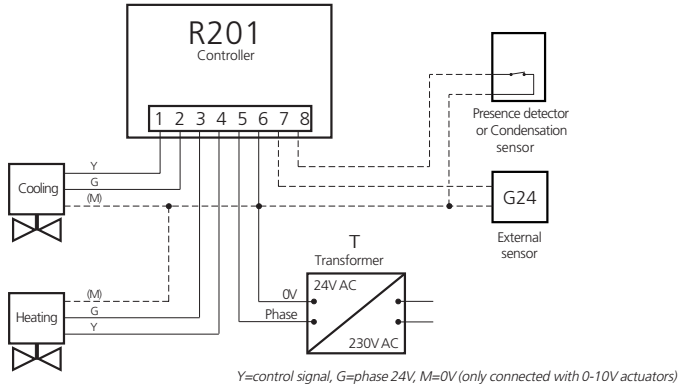
Screw terminal block, 0,5 mm<sup>2</sup> multi-conductor cable

## Dimensions

Dimensions 89x89x26 mm

Weight 76 g

WIRING DIAGRAM



The wiring diagram shows a typical system with controller R201. The dotted lines show alternative connections, e.g 0V measure wire (only connected with 0-10V actuators)

Ordering codes

RSK no.	Art.no.	Name	Description
538 61 58	4302101	R201-02 2-10V	Room regulator max 5+5 actuators

We reserve the right to alter information without notice