

## STV DN 10-50, Balancing valve



- High accuracy
- Easy to adjust
- Quick to commission
- Dimension: DN 10-50
- Temperature: -20°C till +120°C
- Pressure class: PN 20

# Description *STV (M,F,G) DN 10-50*

## Application

The manual balancing valve STV (M,F,G) is optimized for use in DHWC, heating- and cooling systems.

## Sizing

STV (M,F,G) are sized with nomogram, handwheel or online Applications on smartphones or on our website.

STV (M,F,G) shall be dimensioned at 50-80 % of maximum flow for the design flow. Minimum recommended differential pressure is 2 kPa (0,29 psi)

## Setting

The hand wheel has digital reading which shows whole turns and tenth of a turn.

The setting is shown in table format or can be calculated by using software on the website.

Any setting can be locked to avoid tampering with the setting of the balancing value.

An Allen key of 3 mm is used on the inner spindle to lock the setting.

When the setting is locked the valve cannot be opened to a larger value but it can be closed for maintenance of the connected circuit.

## Measuring

The pressure test ports are opened by unscrewing the lids.

Differential pressure can be measured using a balancing instrument.

## Draining

STVM is equipped with a drain.

The drain is opened with a screwdriver.

## Insulation

STVF Is equipped with extra long PT ports.

## Mounting

Mounting direction is clearly shown with an arrow on STV (M,F,G)

STV has internal threads.

STVG has external threads.

# Technical data *STV (M,F,G) DN 10-50*

## Pressure class

PN 20

## Max temperature

120°C

## Min temperature

-20°C

## Max closing pressure

10 bar

## Min pressuredrop

2 kPa

## Material

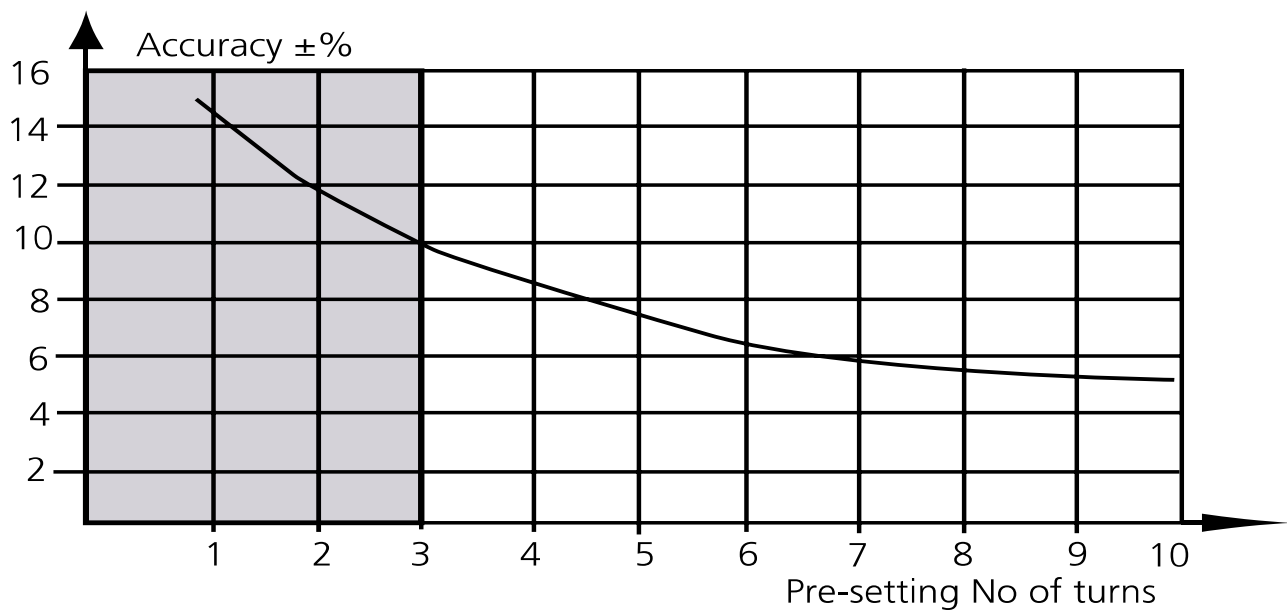
Dezincification resistance brass

Gaskets EPDM

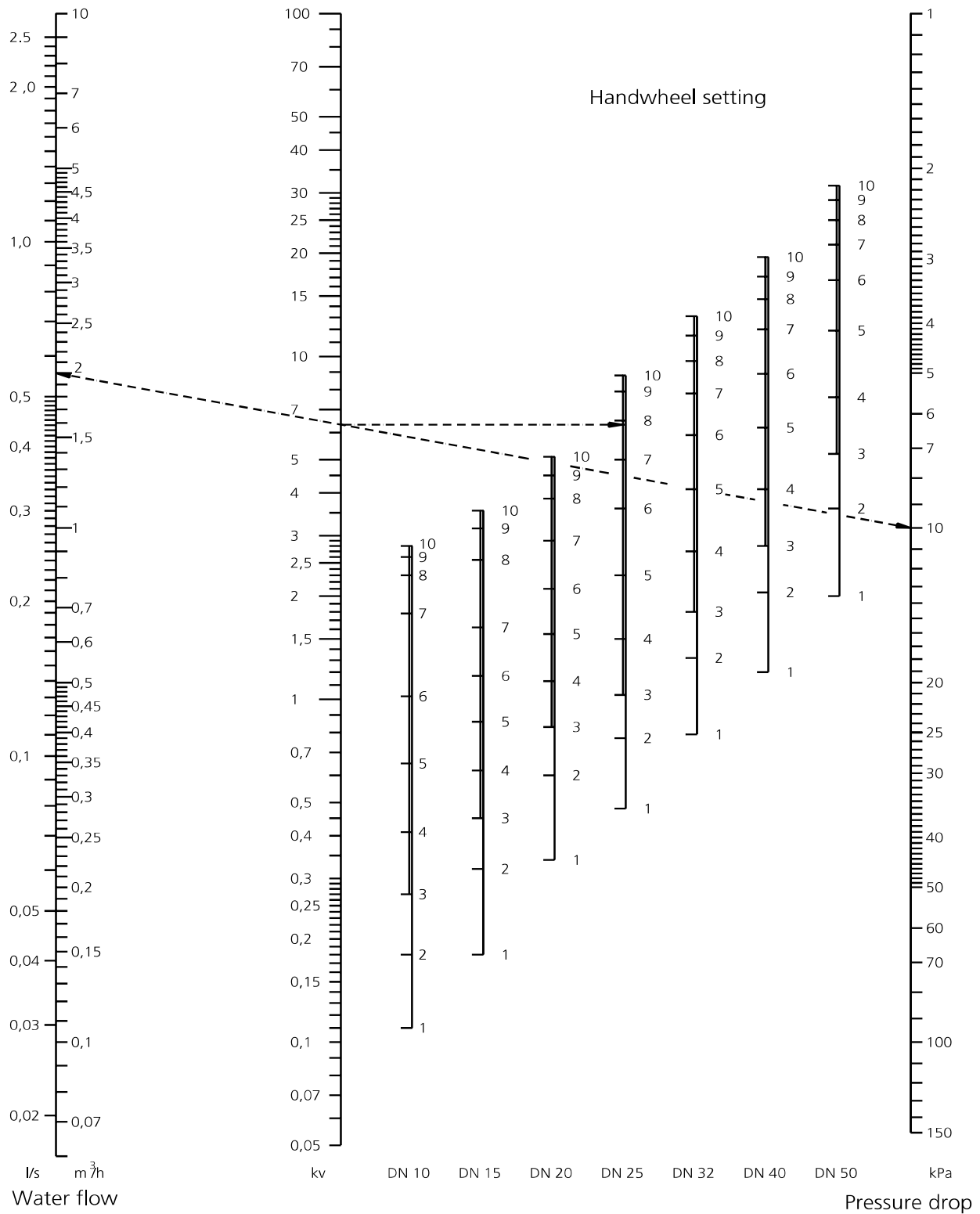
## Capacity

No. turns	DN 10	DN 15	DN 20	DN 25	DN 32	DN 40	DN 50
1	0,11	0,18	0,34	0,48	0,79	1,20	2,00
2	0,18	0,32	0,60	0,77	1,32	2,05	3,60
3	0,27	0,45	0,83	1,03	1,80	2,80	5,20
4	0,41	0,62	1,13	1,50	2,70	4,10	7,60
5	0,65	0,86	1,55	2,30	4,10	6,20	11,90
6	1,02	1,17	2,10	3,60	5,90	8,90	16,70
7	1,78	1,62	2,90	5,00	7,80	12,00	21,20
8	2,30	2,55	3,85	6,50	9,70	14,70	25,00
9	2,60	3,15	4,50	7,90	11,50	17,10	28,60
10	2,80	3,55	5,10	8,80	13,10	19,50	31,50

## Accuracy



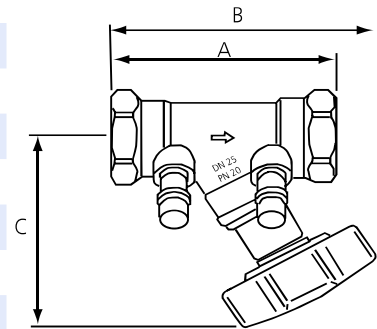
# Setting *STV (M,F,G) DN 10-50*



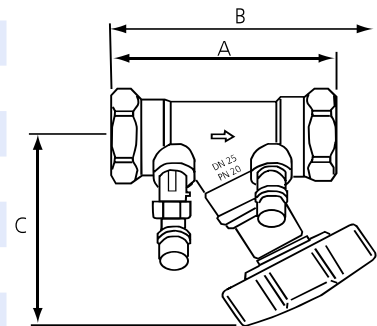
# Product Information *STV (M,F,G) DN 10-50*

## Dimensions mm

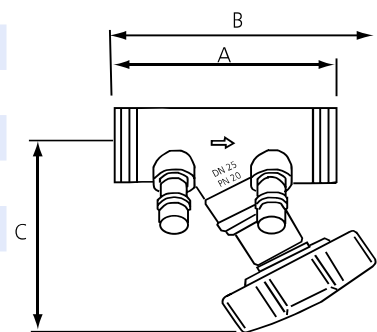
	Dim	A	B	C	Weight/kg
STV 10	DN 10	80	108	95	0,45
STV 15	DN 15	86	111	95	0,53
STV 20	DN 20	90	114	95	0,58
STV 25	DN 25	102	120	96	0,77
STV 32	DN 32	120	127	96	1,20
STV 40	DN 40	132	139	108	1,50
STV 50	DN 50	154	148	111	2,30



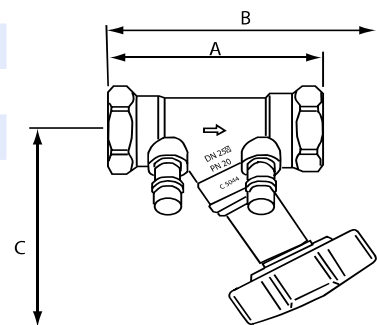
STVM 10	DN 10	80	108	95	0,51
STVM 15	DN 15	86	111	95	0,59
STVM 20	DN 20	90	114	95	0,64
STVM 25	DN 25	102	120	96	0,83
STVM 32	DN 32	120	127	96	1,26
STVM 40	DN 40	132	139	108	1,56
STVM 50	DN 50	154	148	111	2,36



STVG 10	DN 10	80	108	95	0,45
STVG 15	DN 15	86	111	95	0,53
STVG 20	DN 20	90	114	95	0,58
STVG 25	DN 25	102	120	96	0,77
STVG 32	DN 32	120	127	96	1,20



STVF 15	DN 15	86	123	121	0,70
STVF 20	DN 20	90	105	121	0,73
STVF 25	DN 25	102	117	121	0,92
STVF 32	DN 32	120	135	122	1,19



# Product Information *STV (M,F,G) DN 10-50*

## Media

	Refrigerant	Example of trade name
●	Ethylene glycol	Brineol MEG Dowcal 100 Glytherm 10 Tyfocor
●	Propylene glycol	Brineol MPG Dowcal 200 Glytherm 20 Pekasol L Tyfocor L
●	Ethyl alcohol (Ethanol)	Brineol Bioetanol Svedol Thermol
●	Potassium acetate / Potassium formate	Freezium Hycool Pekasol 2000 Temper Tyfoxit
●	Calcium chloride	Brineguard Swedbrine

● The cold carrier is suitable for the product range, provided that the refrigerant manufacturer recommendations are followed.

● Contact current refrigerant manufacturer.

NOTE !! The water quality should be according to VDI 2035



# Product Information *STV (M,F,G) DN 10-50*

## Ordering codes

Article number	Name	Description
3250001	STV 10	Balancing valve without drain
3250101	STV 15	Balancing valve without drain
3250201	STV 20	Balancing valve without drain
3250301	STV 25	Balancing valve without drain
3250401	STV 32	Balancing valve without drain
3250501	STV 40	Balancing valve without drain
3250601	STV 50	Balancing valve without drain

Article number	Name	Description
3250002	STVM 10	Balancing valve with drain
3250102	STVM 15	Balancing valve with drain
3250202	STVM 20	Balancing valve with drain
3250302	STVM 25	Balancing valve with drain
3250402	STVM 32	Balancing valve with drain
3250502	STVM 40	Balancing valve with drain
3250602	STVM 50	Balancing valve with drain

Article number	Name	Description
3250006	STVG 10	Balancing valve male thread without drain
3250106	STVG 15	Balancing valve male thread without drain
3250206	STVG 20	Balancing valve male thread without drain
3250306	STVG 25	Balancing valve male thread without drain
3250406	STVG 32	Balancing valve male thread without drain

Article number	Name	Description
3253201	STVF 15	Balancing valve extended nipples and neck
3253301	STVF 20	Balancing valve extended nipples and neck
3253401	STVF 25	Balancing valve extended nipples and neck
3253501	STVF 32	Balancing valve extended nipples and neck

# Product Information *STV (M,F,G) DN 10-50*

## Ordering codes

Article number	Name	Description
9000964	KRK G15X10	Fittings for STVG
9000965	KRK G15X12	Fittings for STVG
9000966	KRK G15X15	Fittings for STVG
9000967	KRK G15X16	Fittings for STVG
9001028	KRK G20X12	Fittings for STVG
9000968	KRK G20X15	Fittings for STVG
9000969	KRK G20X18	Fittings for STVG
9000970	KRK G20X22	Fittings for STVG
9000971	KRK G25X18	Fittings for STVG
9000972	KRK G25X22	Fittings for STVG
9000973	KRK G25X28	Fittings for STVG
9000974	KRK G32X35	Fittings for STVG
9000975	KRK G40X42	Fittings for STVG
9000976	KRK G50X54	Fittings for STVG

Article number	Name	Description
3541401	IS 10-20	Insulation DN 10-20
3541501	IS 25	Insulation DN 25
3541601	IS 32	Insulation DN 32
3541701	IS 40	Insulation DN 40
3541801	IS 50	Insulation DN 50